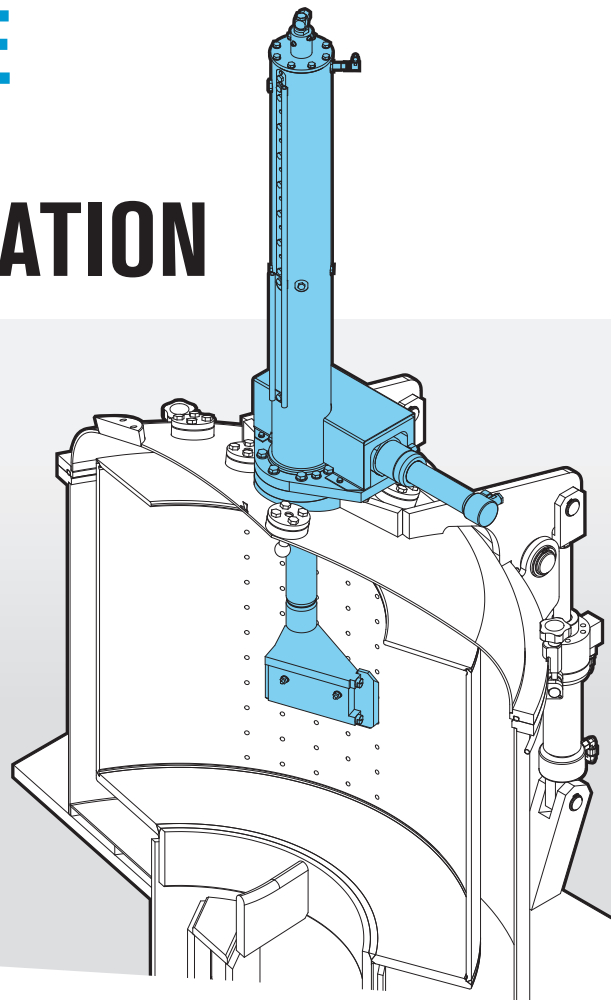


# + CENTRIFUGE UPGRADE WITH THE LATEST SCRAPER UNIT GENERATION

- + Faster batch and product change
- + Lower maintenance costs
- + Shorter downtimes
- + Cleaner working environment



**Design in accordance with latest cGMP requirements** | The scraper unit developed by Ferrum has been used for new machines for several years and has been proven in numerous applications. With the new design you benefit from considerable advantages.

**You can profit** | It is fast and easy to install the new design on existing vertical scraper centrifuges.

### Our innovation – Your benefit

- Parts made of corrosion-resistant materials
- Fewer wear parts due to simpler design
- Simplified and optimised hydraulic system
- Internal nitrogen feed to the residual heel removal system, the external spiral coiled tube can be eliminated
- cGMP design

**Lower maintenance costs and shorter downtimes** | The simplified and even more reliable design with components made of corrosion-resistant materials, increases the effective operating time and reduces downtime for revisions and repairs.

**Higher efficiency** | The new cGMP design minimises product deposits. This allows a significantly more efficient and faster cleaning of the scraper unit in the process area reducing time for batch and product change.

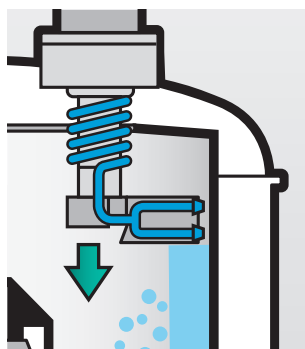
### Modification possible with the following centrifuge types

- VBC, DSZ, PUR BN, PUR DIN

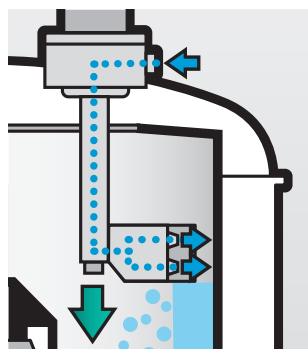
### Simple and fast up-grade

- Mechanical installation within one day
- Complete modification kit: scraper unit, hydraulic unit, valve block
- No modifications of the cover or housing required
- Customised adaption of the control system

### Nitrogen feed through the scraper shaft



Old design with spiral coiled tube



New design with feed through the shaft



Centrifuge type VBC



Centrifuge type DSZ



Centrifuge type PUR



### Contact us

.....  
We are pleased to send you a non-binding offer..

**Ferrum Process Systems Ltd.**  
Centrifuge Technology

Industriestrasse 11  
5503 Schafisheim  
Switzerland

T +41 62 889 14 11  
cs.processsystems@ferrum.net  
www.ferrum.net

**FERRUM**  
MORE THAN  
**100 YEARS**  
SINCE 1917