

## RENTAL VERTICAL TOP DISCHARGE CENTRIFUGE VTC-M 400/200 MOBILE TEST CENTRIFUGE

### Simple and fast product tests

- + Special design: combination of centrifuge, control system and drive components in one system
- + Mobile turn-key unit
- + Suitable for pilot plants and small-scale production in the fine chemical and pharma industry



### Vast test options

- + Optimization of existing installations
- + Filtration characteristics evaluation of new applications and for the design of production plants
- + Operating condition tests and feasibility studies
- + Pilot tests for further scale-ups
- + Determination of: capacity, residual moisture, purity
- + Washing tests
- + Centrifuge performance determination (guaranteed values)

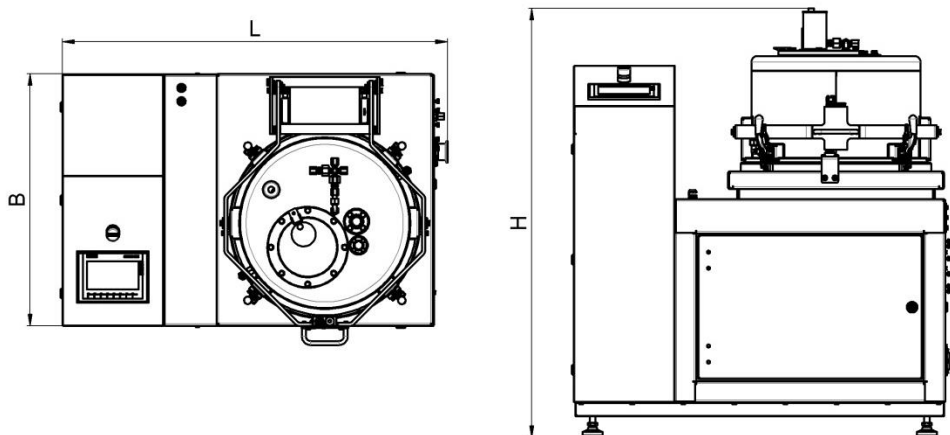
# MOBILE TEST CENTRIFUGE

## Technical data

Top Discharge centrifuge	VTC-M 400	Unit
Solids discharge	mit Filtersack	
Basket axis	vertikal	
Basket diameter	400	[mm]
Basket height	200	[mm]
Filter surface	0.25	[m <sup>2</sup> ]
Useful volume	13	[l]
Max. G force	1'630	[g]
Weight centrifuge system	650	[kg]

Permissible product temperature range : 0-80 °C, ambient temperature: 40 °C, other products upon request

## Dimensions



Top Discharge centrifuge	VTC-M 400	Unit
L	1200	[mm]
B	800	[mm]
H	1'600	[mm]

### + Your benefit

Ferrum has more than 85 years of experience in solid-liquid separation, with over 6'400 delivered centrifuges for more than 300 applications.

### + Interested?

Please contact us. We will be happy to provide you with further information and to assist you with your application.

#### Philipp Ruhstaller

Head of Process Engineering

✉ philipp.ruhstaller@ferrum.net

T +41 62 889 1437

